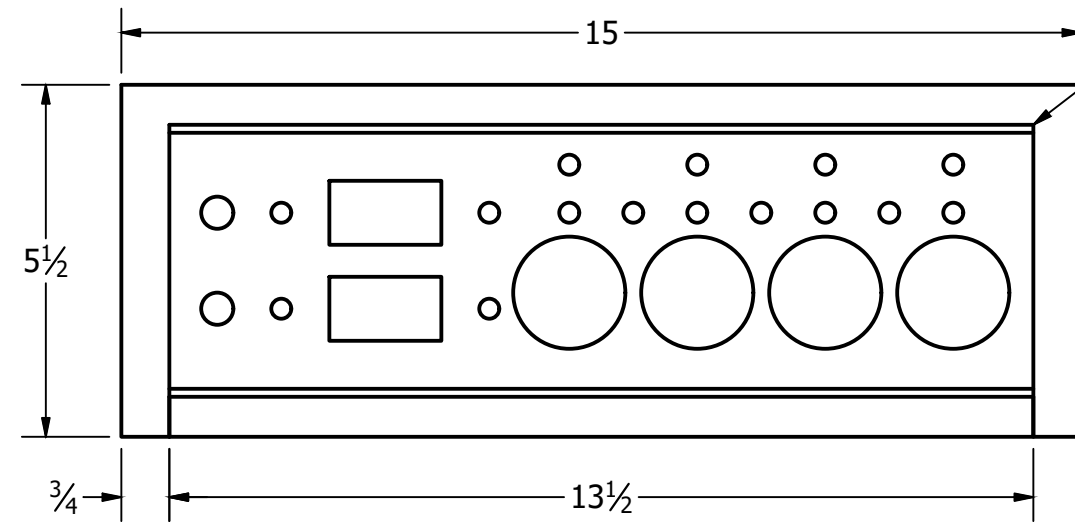
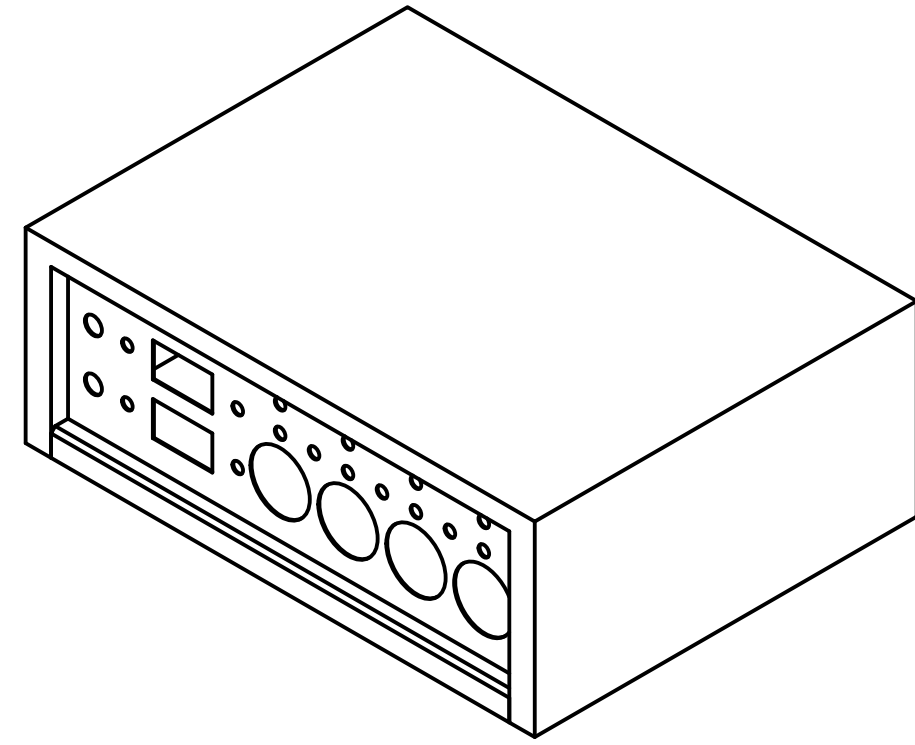
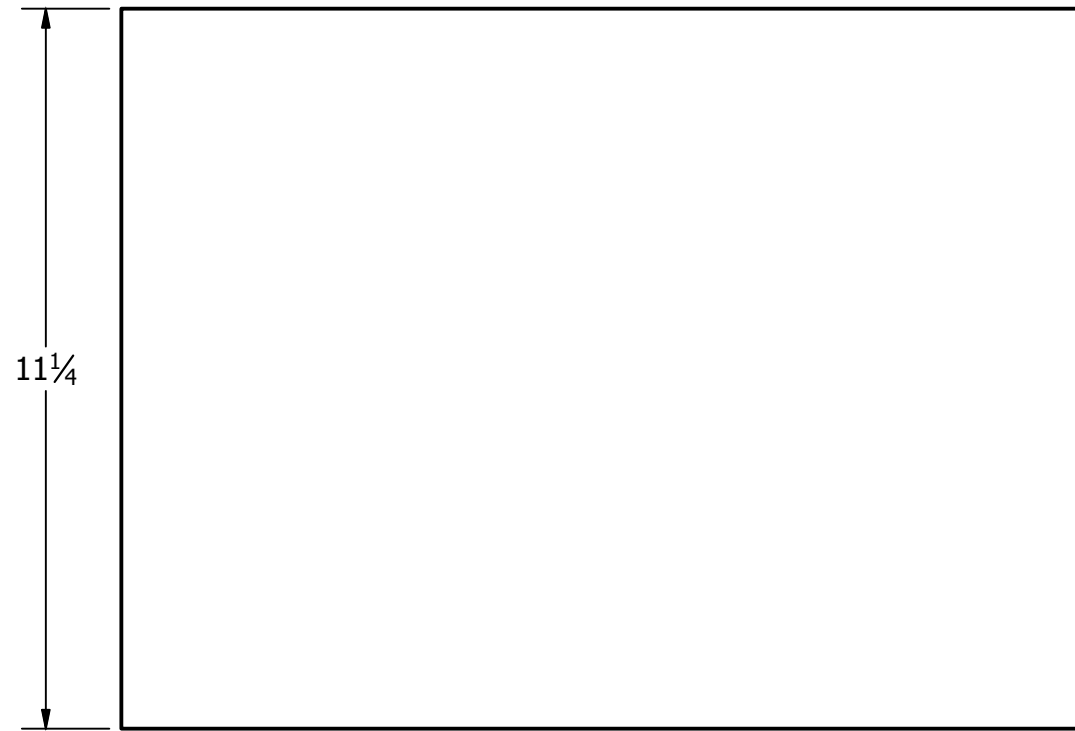
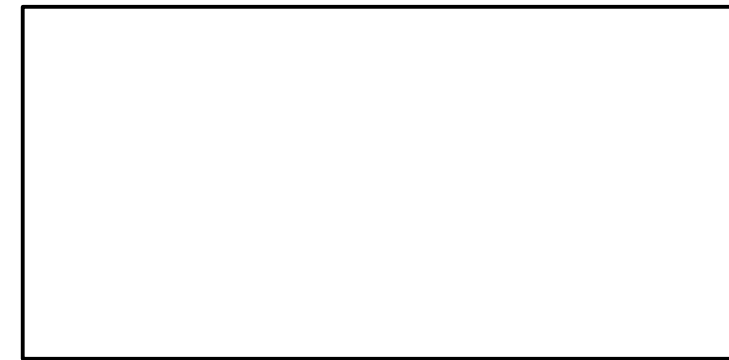




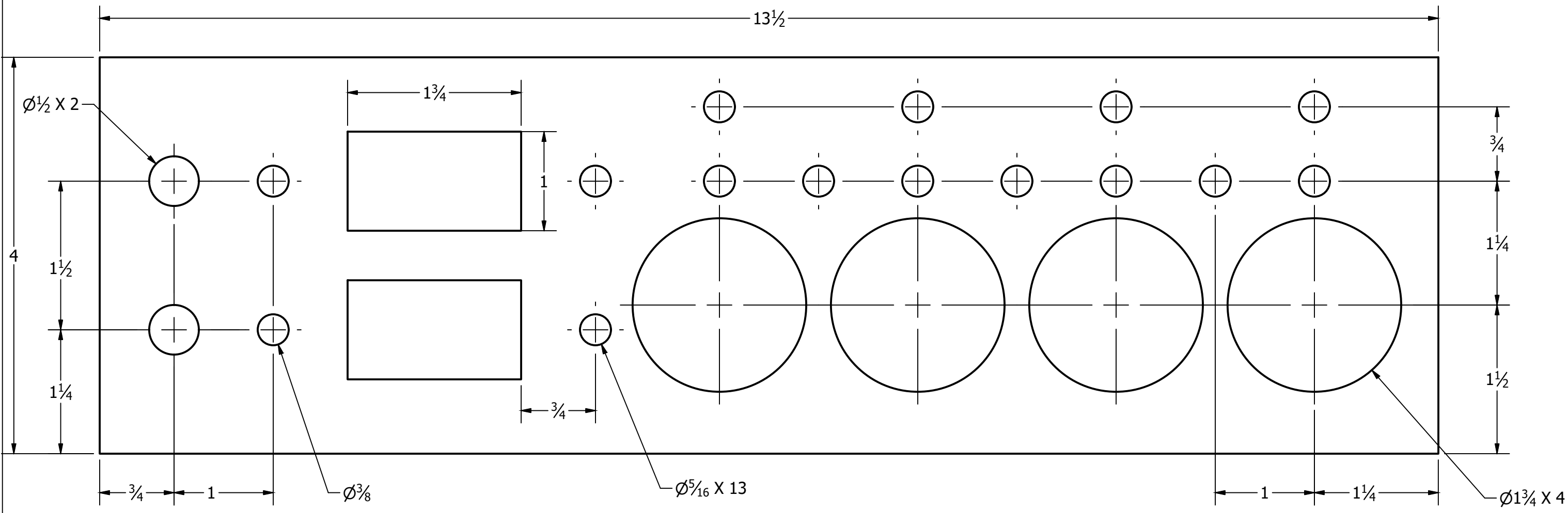
NO.	DATE	REVISIONS	BY	CHK.
1	07/14/2019	Production Drawing Set	JAL	JAL
2	08/25/2019	Installation Drawing Set	JAL	JAL
3	03/13/2020	As-Built Drawing Set	JAL	JAL



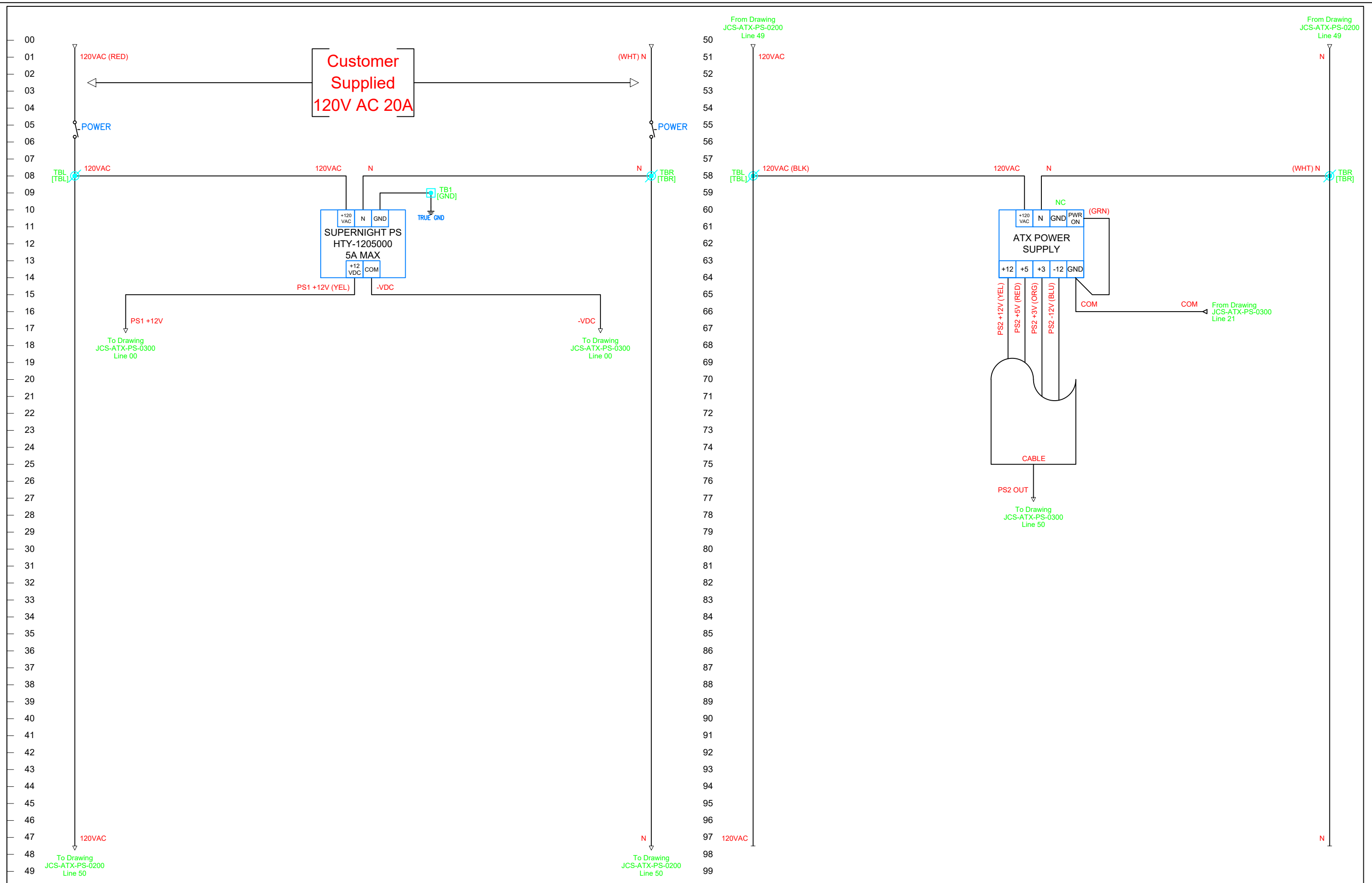
1/8" 45° Chamfer On Inside Edge



NO.	DATE	REVISIONS	BY	CHK.
1	07/14/2019	Production Drawing Set	JAL	JAL
2	08/25/2019	Installation Drawing Set	JAL	JAL
3	03/13/2020	As-Built Drawing Set	JAL	JAL

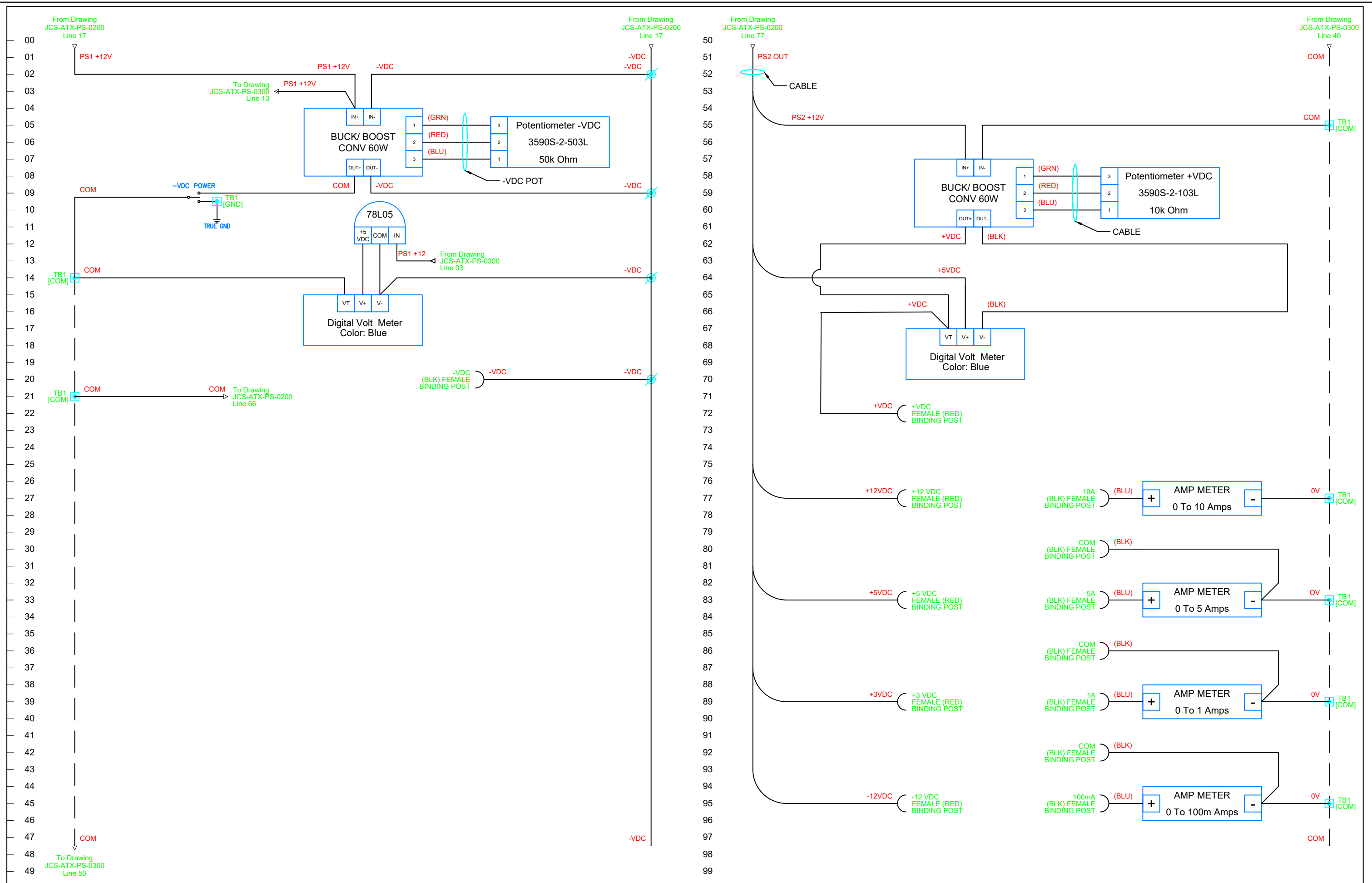


NO.	DATE	REVISIONS	BY	CHK.
1	07/14/2019	Production Drawing Set	JAL	JAL
2	08/25/2019	Installation Drawing Set	JAL	JAL
3	03/13/2020	As-Built Drawing Set	JAL	JAL



NO.	DATE	REVISIONS	BY	CHK.
1	07/14/2019	Production Drawing Set	JAL	JAL
2	08/25/2019	Installation Drawing Set	JAL	JAL
3	03/13/2020	As-Built Drawing Set	JAL	JAL

**LAB BENCH POWER SUPPLY**  
**120V AC POWER**



NO.	DATE	REVISIONS	BY	CHK.
1	07/14/2019	Production Drawing Set	JAL	JAL
2	08/25/2019	Installation Drawing Set	JAL	JAL
3	03/13/2020	As-Built Drawing Set	JAL	JAL